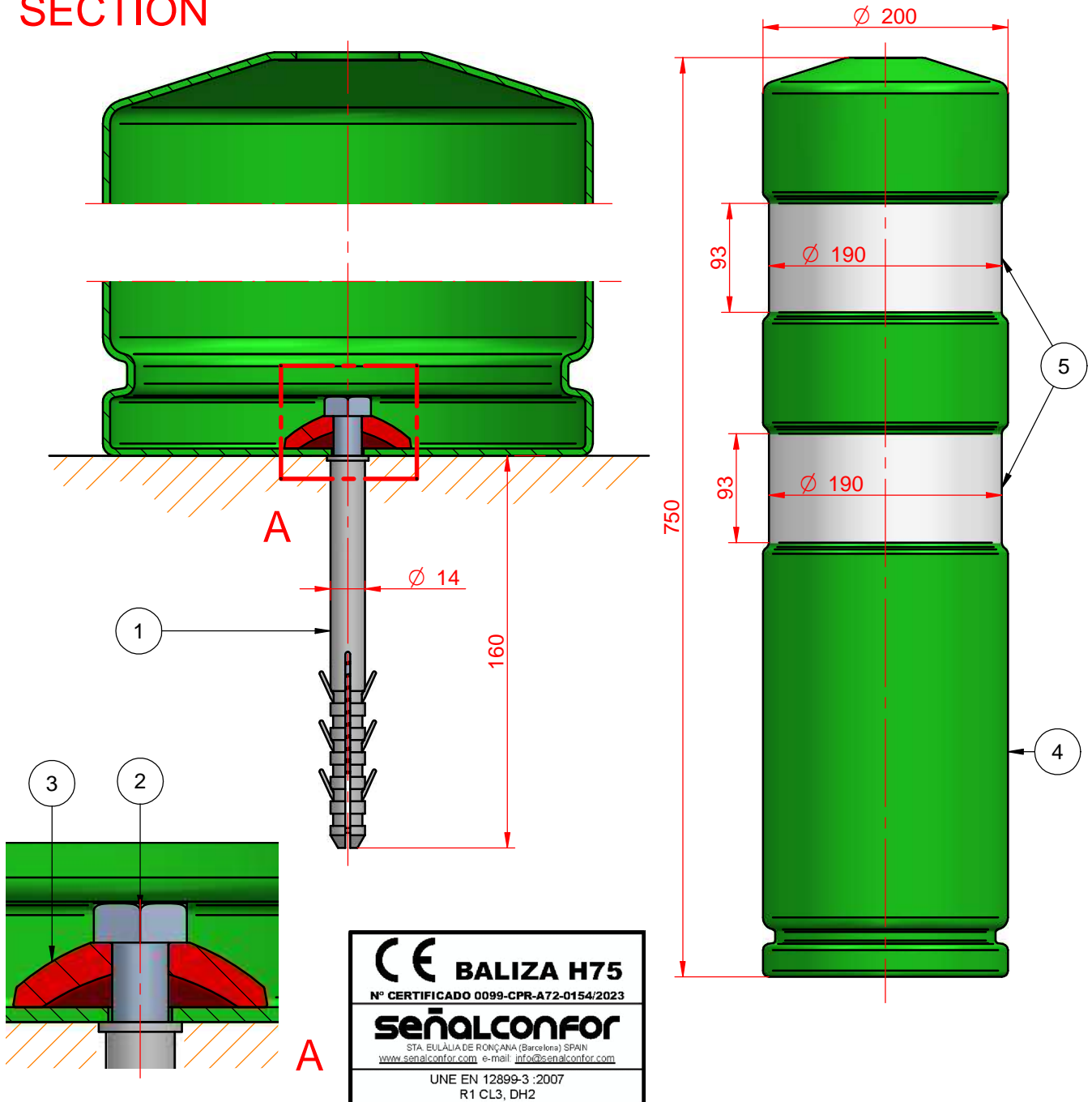


FT - TECHNICAL SHEET

Element	Reference	Denomination	Material	Units
5	FILMRF2	93mm reflective bands	Class 2 film	2
4	FBADESP3675	Bollard body type H75	PEbd	1
3	PLATO53PE14	Load sharing disk	PPcopo	1
2	TOR57112150ZN	DIN 571 screw of M12x150	Zinc Steel	1
1	TAEX1416011	Expansion block 14x160mm	Gray PA6	1

SECTION



A4	BASIC H75 BOLLARD 3 Ref. BBAS3675 H75 economic type bollard made in flexible PE. Anchoring by expansion plug in Polyamide and self-tapping DIN571 screw in electro-galvanized steel M12x150mm long.	06-11-23
1:5	Coated with two retroreflective bands, Class 2 or 3, flexible. Optional top cap. Plug Ø14x160mm long. According to EN 12899-3 Standard. PRODUCT WITH CE CERTIFICATE.	SC
FT3C	CYLINDRIC BOLLARDS	